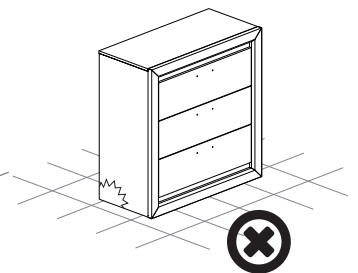
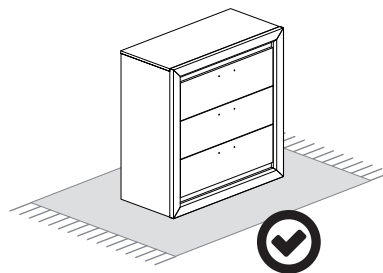
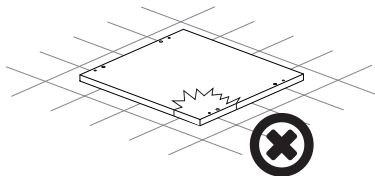
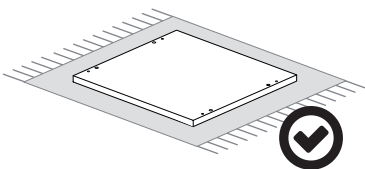
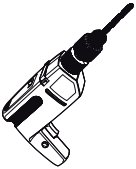
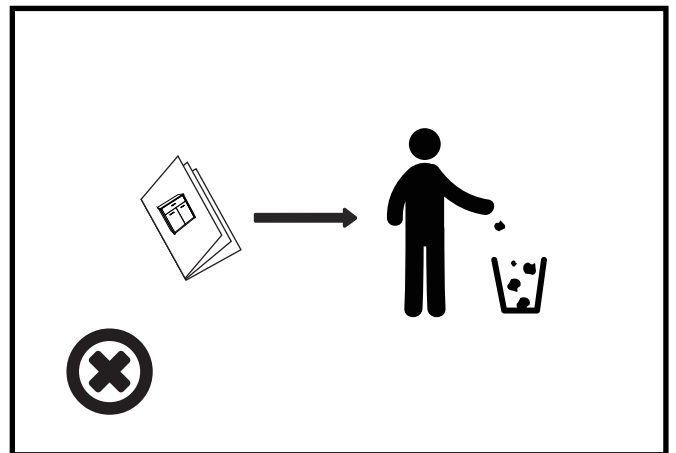
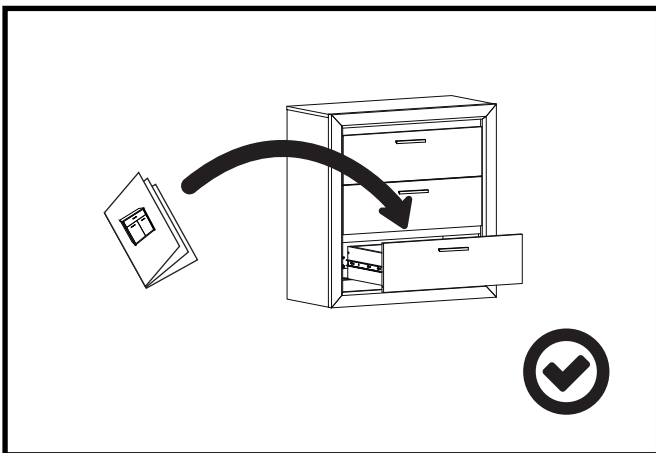
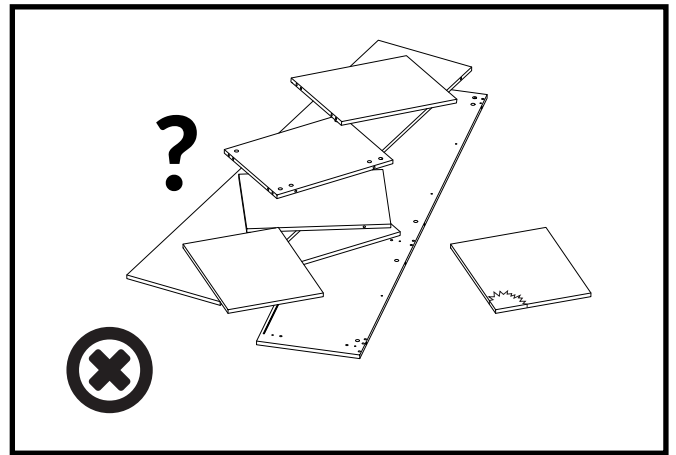
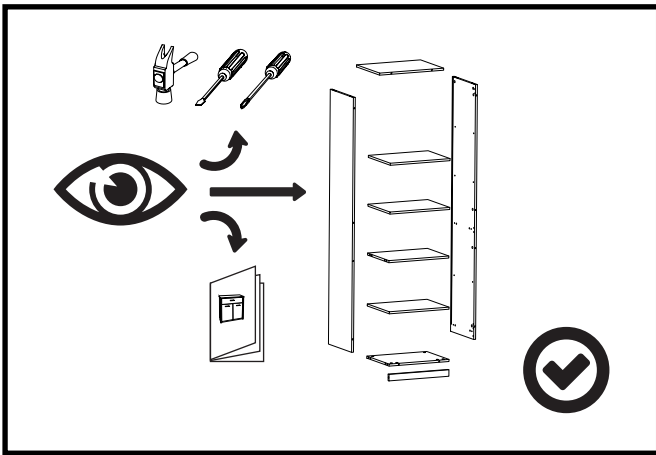
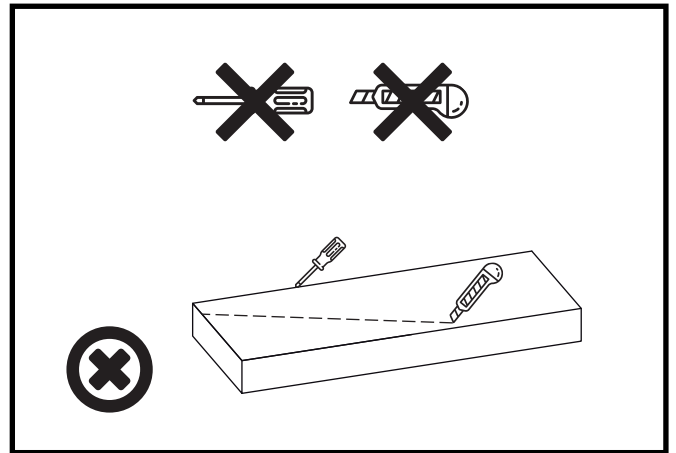
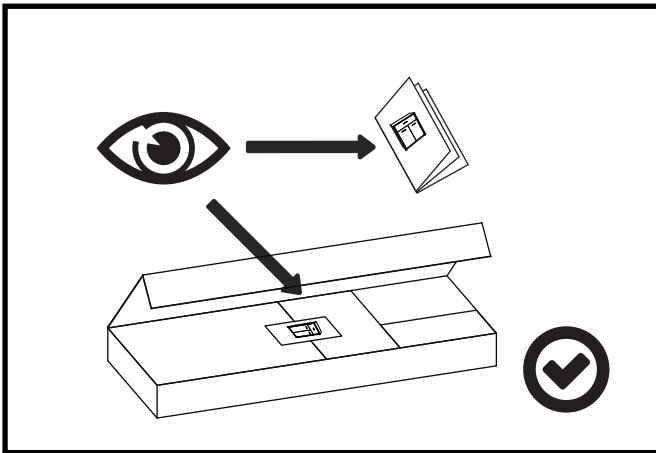


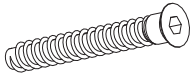
# OPTIMAL 25



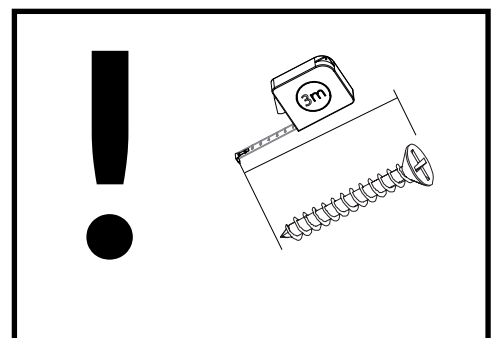


# OPTIMAL 25

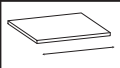
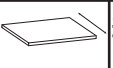
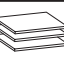
KT1 x 7  
6,3x50

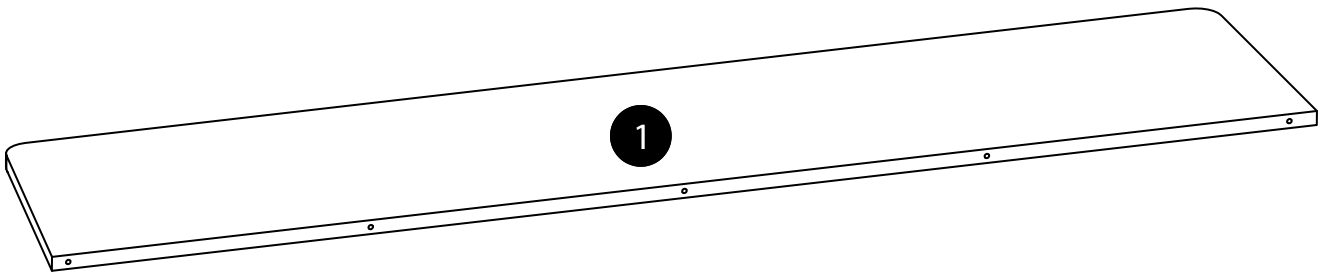


x 1

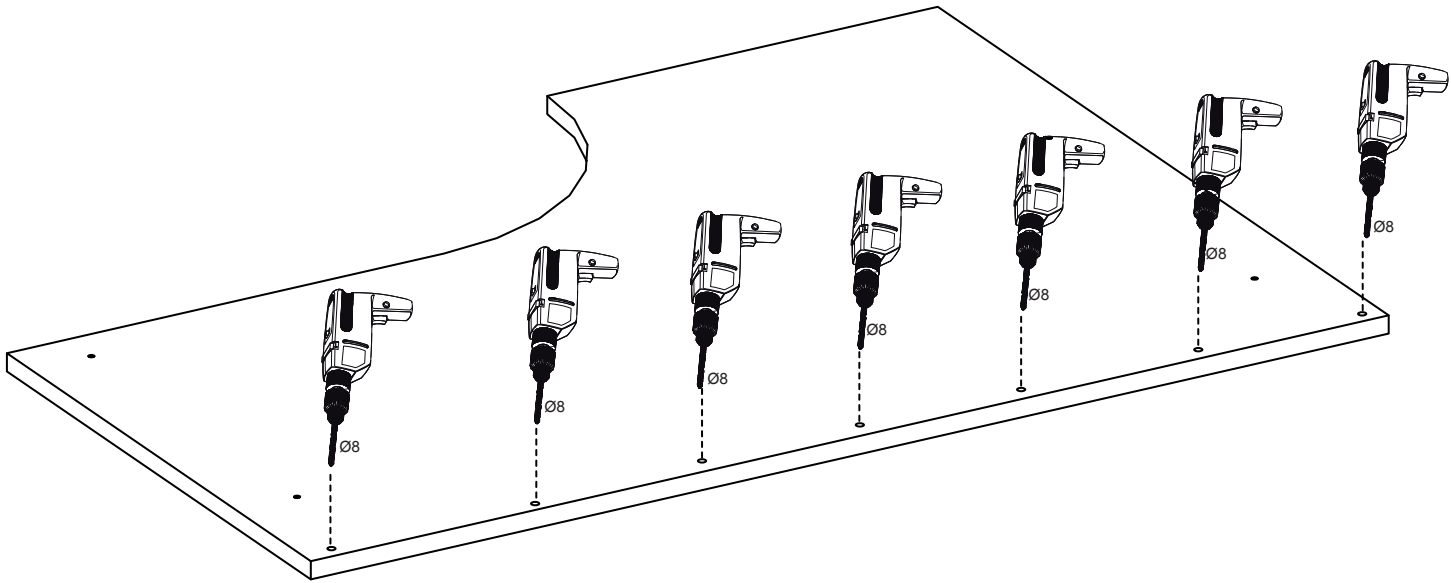


# OPTIMAL 25

			
1	1380	285	1



**A ▶**



**B ▶**

